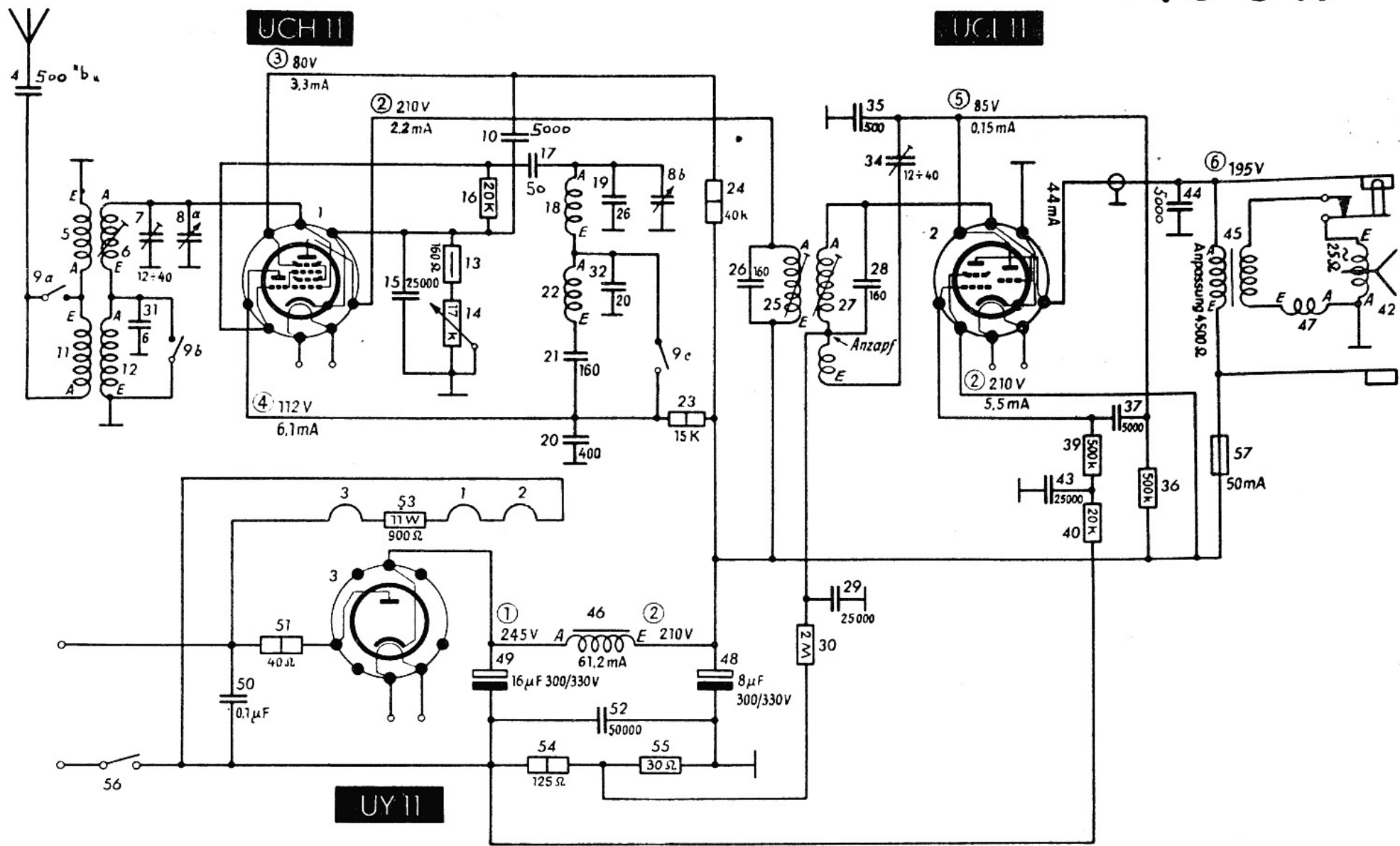


# 143 GW



ZF. = 473 / 468 kHz

# TELEFUNKEN